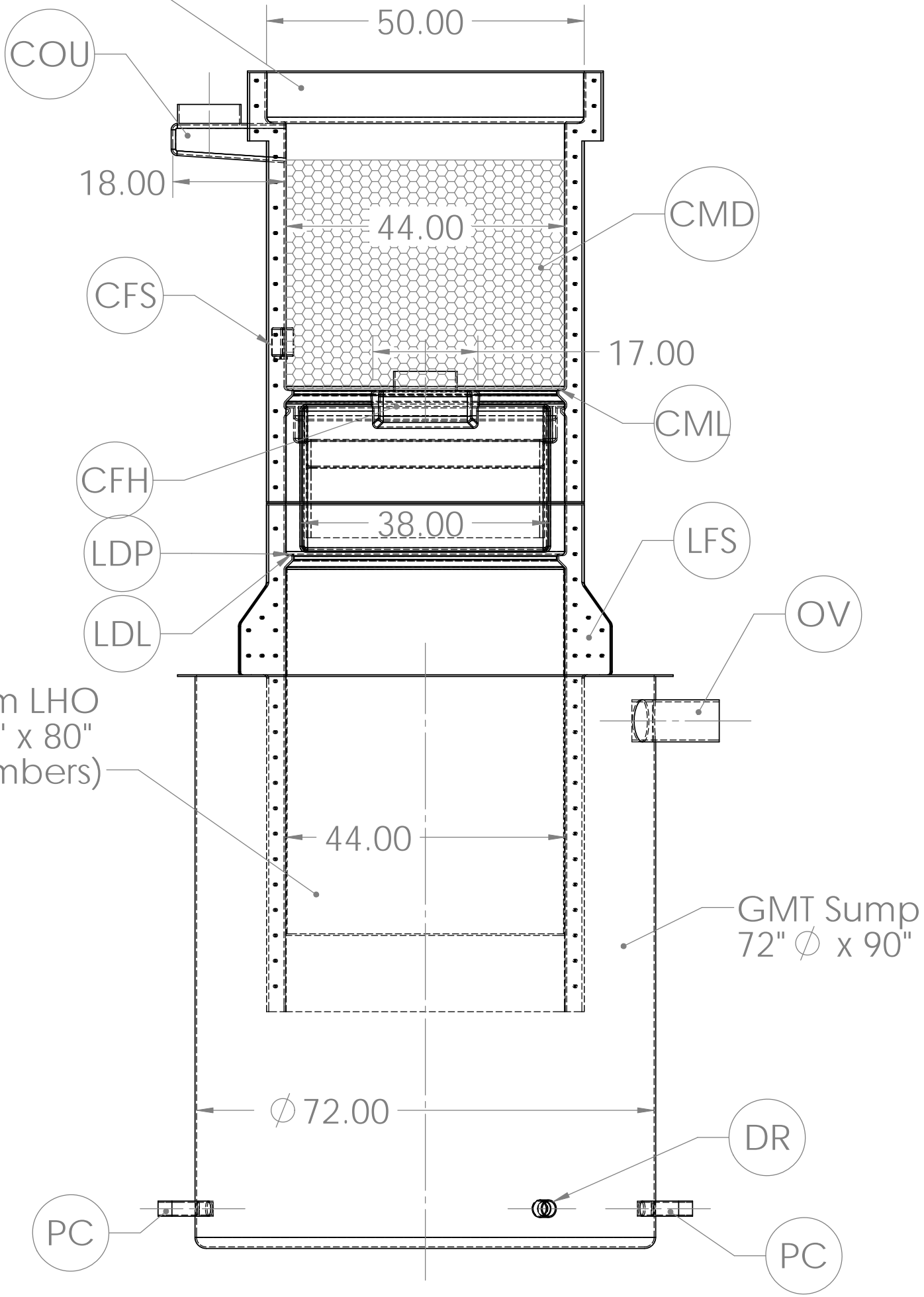


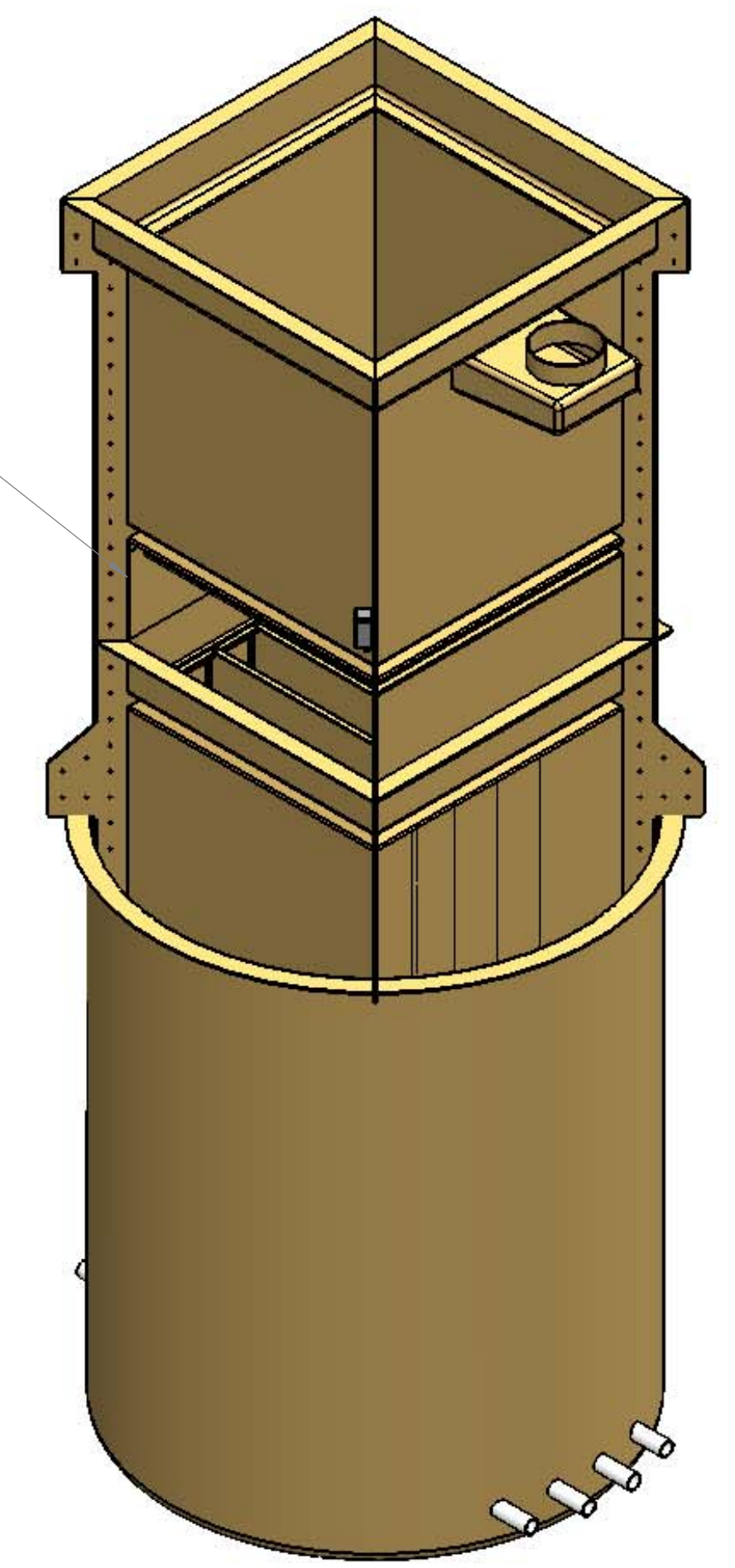
600 gpm  
CO<sub>2</sub> Stripper  
44" x 44" x 68"



600 gpm LHO  
44" x 44" x 80"  
(6 Chambers)

LHO Access  
Opening

GMT Sump  
72"  $\phi$  x 90"



DRAWN	NAME	DATE	HEProducts WMT	
CHECKED	NFM	07/08/11	<b>600 gpm GMT with 72" <math>\phi</math> Sump North Shore</b>	
ENG APPR.				
MFG APPR.				
Q.A.				
COMMENTS:			SIZE DWG. NO. REV <b>C</b> 600 GMT-72 Sump Assy NorthShore	
SCALE: 1:20		SHEET 1 OF 2		

## Design Conditions

Pressure	Atmospheric
Temperature	
Environment	
Process Flow	600 gpm
HLR	

## Estimated Weights

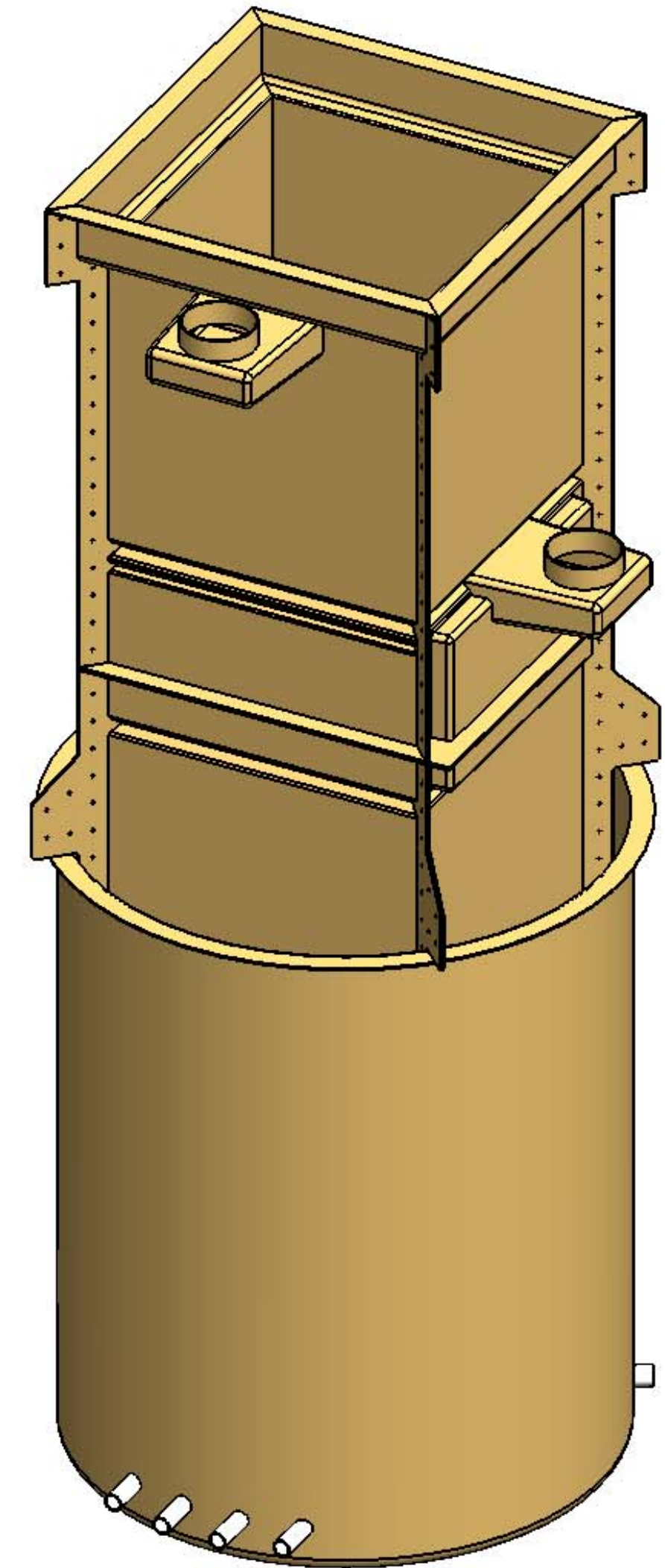
Shipping	
Operating	
Flooded	


## Materials of Construction

Resin	Polyester
Cure	MEKP
Structure	Alternating layers of chopped strand glass and woven roving to thickness
Gelcoat	Clear Coat

## Fittings & Appurtenances

MK	Description	Quan	Size	Material	Rating	Elev	Orientation	Comments
<b>GMT - CO2 Stripper Section 44" x 44" x 68"</b>								
CDP	Distribution Plate	1	47" x 47" x 3/8"	GRC		177.00		(50) Crown Nozzles
CDL	Dist Plate Support Ledge	1	3"	GRC		177.00		
CMD	Structured Media	1	44" x 44" x 36"					48 cf
CML	Media Support Ledge	1	1.25"	GRC		135.00		
CPF	Deflector Pan	1	42" x 42" x 2"	GRC		132.00	270°-90°	w/ 36" x 17" Channel
CPFL	Deflector Pan Support Ledge	1	.75"	GRC		132.00		
COU	Outlet	1	17" x 18" x 6" w/ 10"Ø	GRC		170.88	180°	10"Ø Outlet
CFH	Fan Housing	1	17" x 18" x 6" w/ 10"Ø	GRC		129.00	90°	w/ 10" Suncort Fan TF110
CFS	Fan FSS Switch Box	1	2" x 4" x 2.5"	PVC	Non Metallic	140.00	225°	w/ Weatherproof Cover
HW	Hardware Sets	72	3/8-16 x 2 hh bolt, nut, dbl washer	304 sst				4" Centers
SL	Sikaflex	6	Sealant	PU	tubes			
<b>GMT - LHO Section (6 Chamber) Ozone Service 44" x 44" x 80"</b>								
LDP	Distribution Plate	1	43" x 43" x 3/8"	GRC		109.00		w/ (432) 3/8"Ø holes
LDL	Dist Plate Support Ledge	1	1.25"			109.00		
LBF	Baffle	5	44" x 60" x 1"	GRC		49.00		w/ alternating holes
LSB	Support Brackets	4	6" x 6"	GRC		60.00	45°, 135°, 225°, 270°	
LGP	Gas Ports	2	.5"Ø Female Adapter	PVC	SCH 40	107.00	00°	
HW	Hardware Sets	48	3/8-16 x 2 hh bolt, nut, dbl washer	304 sst				4" Centers
<b>LHO Sump 72"Ø x 90"</b>								
DR	Drain	1	2"Ø Full Cplng	PVC	SCH 40	6.00	60°	
PC	Pump Connections	8	2"Ø x 6.5" Pipe Stub	PVC	SCH 40	6.00	0°, 180°	8" Centers
OV	Overflow	2	6"Ø x 14" Pipe Stub	PVC	SCH 40	82.75	0°	



DRAWN	NAME	DATE	 <b>HEProducts WMT</b>
CHECKED	NFM	07/08/11	
ENG APPR.			
MFG APPR.			
Q.A.			
COMMENTS:			TITLE: 600 gpm GMT with 72" Ø Sump North Shore
	SIZE	DWG. NO.	REV
	C	600 GMT-72 Sump Assy NorthShore	
	SCALE: 1:32		SHEET 2 OF 2