



Water Management Technologies, Inc. • PO Box 66125 • Baton Rouge, LA 70896 USA
 Toll Free: 877.755.0026 • Phone: 225.755.0026 • Fax: 225.755.0995
 Web Page: W-M-T.com • Email: info@w-m-t.com

Standard features

- Low weight cast aluminum construction.
- Quiet operation with integral inlet and outlet muffling.
- Recognized TEFC motor.
- High efficiency / low noise impeller design.
- No lubrication / maintenance required.
- Allowed ambient: -10 °F to +105 °F.
- Mountable in any plane.

Max. continuous operating Pressure
Vacuum

5.6 psig / 155.0 In. WG
7.7 In. Hg / 104.7 In. WG

Options

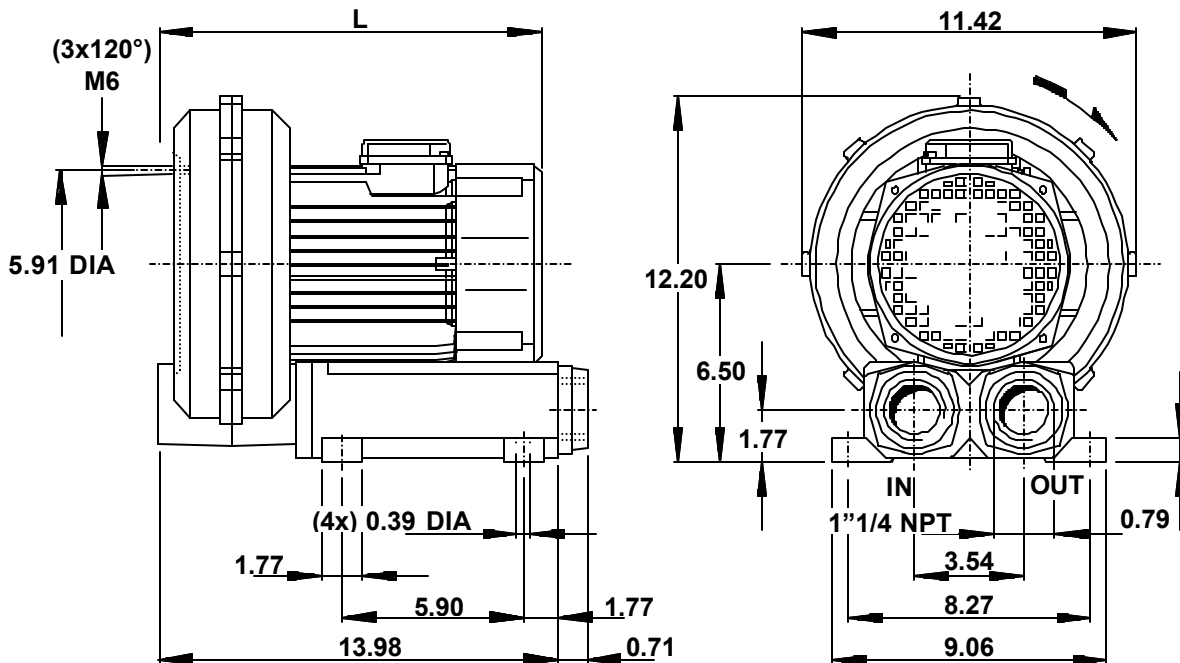
- Remote drive models (belt or coupling).
- Special voltages.
- Surface treatment or plating.
- Gas tight sealing.
- Special designs available.

Accessories

- Inlet and/or inline filters.
- Additional inlet/outlet silencers.
- Safety valves.
- Flow converting devices.
- Optional connectors.



Dimensions in inches



Motor power	Hp 60 Hz	3/4	1	1 1/2
	Hp 50 Hz	5/8	5/6	1 1/4
L	In.	13.39	13.78	13.78
Weight	Lbs.	37.40	44.00	47.30

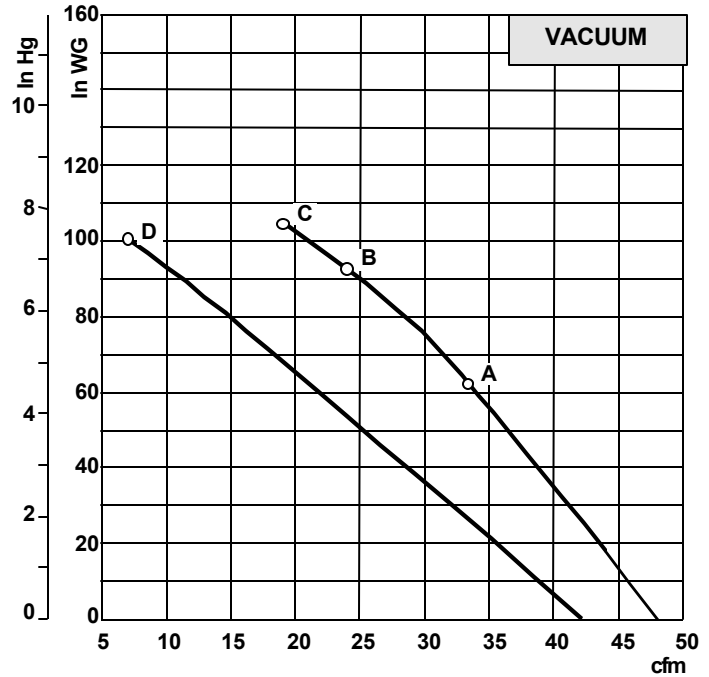
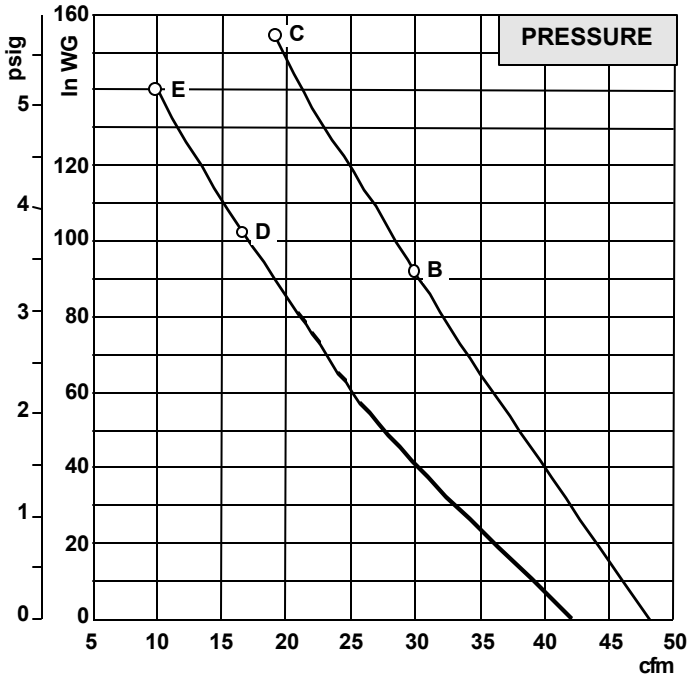


REGENERATIVE BLOWERS - S20D

50 or 60 Hz • Single or Three Phase



Water Management Technologies, Inc. • PO Box 66125 • Baton Rouge, LA 70896 USA
 Toll Free: 877.755.0026 • Phone: 225.755.0026 • Fax: 225.755.0995
 Web Page: W-M-T.com • Email: info@w-m-t.com



Notes:

- Curves indicate performance rated for continuous operation.
- Performance data based on ambient / inlet air temperature of 68 °F and barometric pressure of 29,92 In. Hg
- Performance values may vary by ±10%
- Sound level measured at 1 m distance with inlet and outlet piped.
- Specifications are subject to change without notice.

S20D

60 Hz – 3500 rpm							
Reference		A		B		C	
Maximum airflow	cfm	48		48		48	
Maximum continuous pressure	In. WG	-		92		155	
Maximum continuous vacuum	In. Hg	4.6		6.8		7.7	
Maximum sound level	dB(A)	68		68		68	
Motor horsepower	Hp	3/4		1		1 1/2	
Standard voltage	Volt	115 or 208-230	208-230/460	115 or 208-230	208-230/460	115 or 208-230	208-230/460
Phase		1	3	1	3	1	3
Rated FLA current	Amps	10,0 or 5,5-5,0	2,9-2,6/1,3	13,2 or 7,3-6,6	3,8-3,4/1,7	19,8 or 11,0-9,9	5,1-4,6/2,3
Rated locked rotor current	Amps	40 or 22-20	15-13/7	60 or 33-30	23-20/11	99 or 55-50	31-28/14
Insulation	Class	F		F		F	
50 Hz – 2900 rpm							
Reference		D			E		
Maximum airflow	cfm	42			42		
Maximum continuous pressure	In. WG	103			104		
Maximum continuous vacuum	In. Hg	7.4			-		
Maximum sound level	dB(A)	65			65		
Motor horsepower	Hp	5/8			1 1/4		
Standard voltage	Volt	230		200/400		230	
Phase		1		3		3	
Rated FLA current	Amps	5,0		2,9/1,3		9,9	
Rated locked rotor current	Amps	20		15/7		50	
Insulation	Class	F		F		F	