



Water Management Technologies, Inc. • PO Box 66125 • Baton Rouge, LA 70896 USA
 Toll Free: 877.755.0026 • Phone: 225.755.0026 • Fax: 225.755.0995
 Web Page: W-M-T.com • Email: info@w-m-t.com

Standard features

- Low weight cast aluminum construction.
- Quiet operation with integral inlet and outlet muffling.
- Recognized TEFC motor.
- High efficiency / low noise impeller design.
- No lubrication / maintenance required.
- Allowed ambient: -10 °F to +105 °F.
- Mountable in any plane.

Max. continuous operating Pressure
Vacuum

7.9 psig / 221.0 In. WG
11.8 In. Hg / 160.4 In. WG

Options

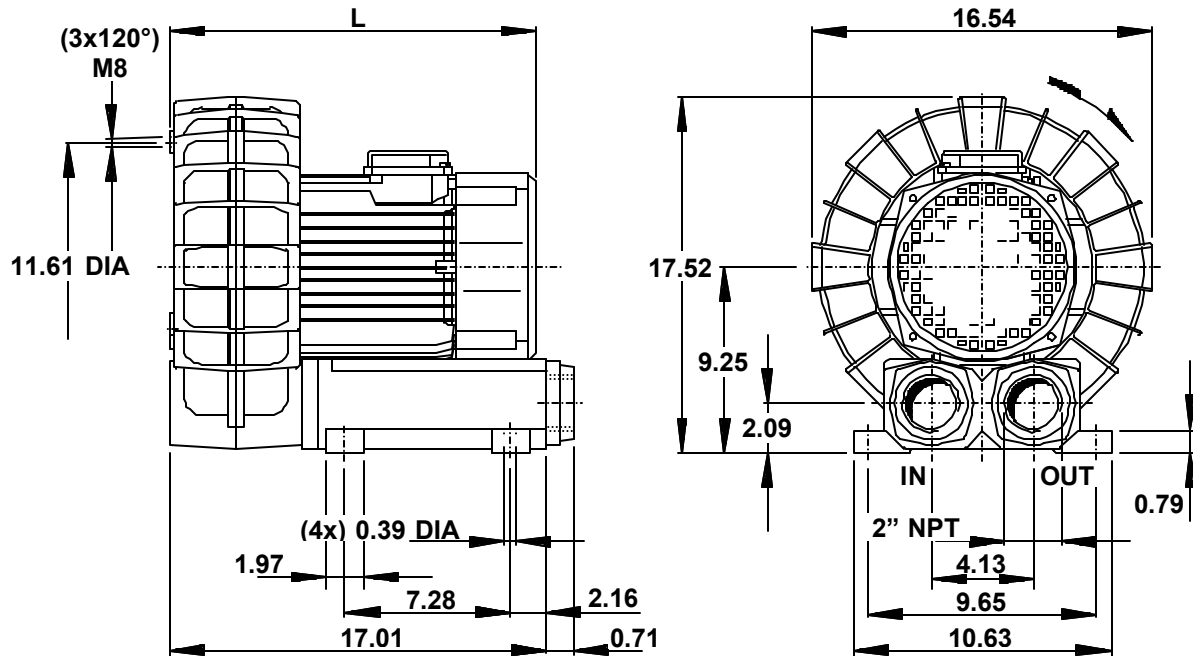
- Remote drive models (belt or coupling).
- Special voltages.
- Surface treatment or plating.
- Gas tight sealing.
- Special designs available.

Accessories

- Inlet and/or inline filters.
- Additional inlet/outlet silencers.
- Safety valves.
- Flow converting devices.
- Optional connectors.



Dimensions in inches



Motor power	Hp 60 Hz	4	5	7 1/2
	Hp 50 Hz	3 1/3	4 1/6	6 1/4
L	In.	18.11	18.11	20.47
Weight	Lbs.	88.00	94.60	116.60

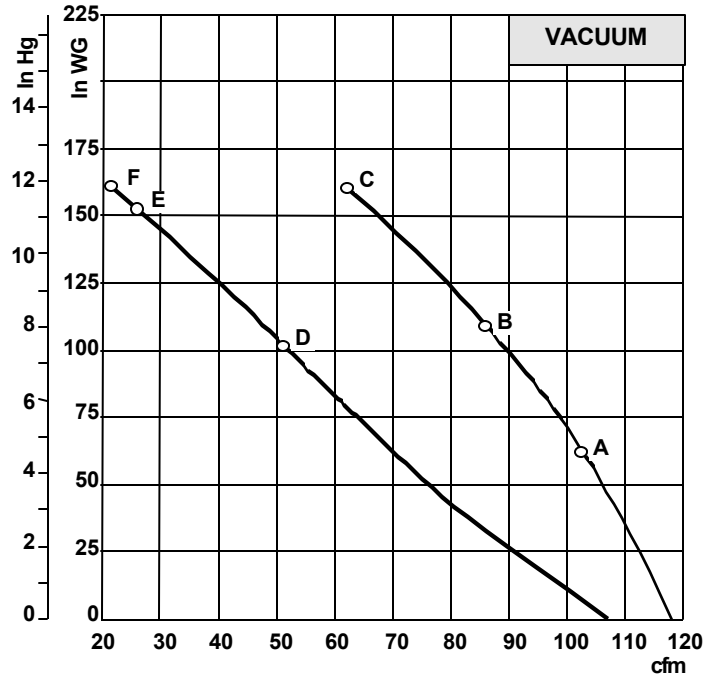
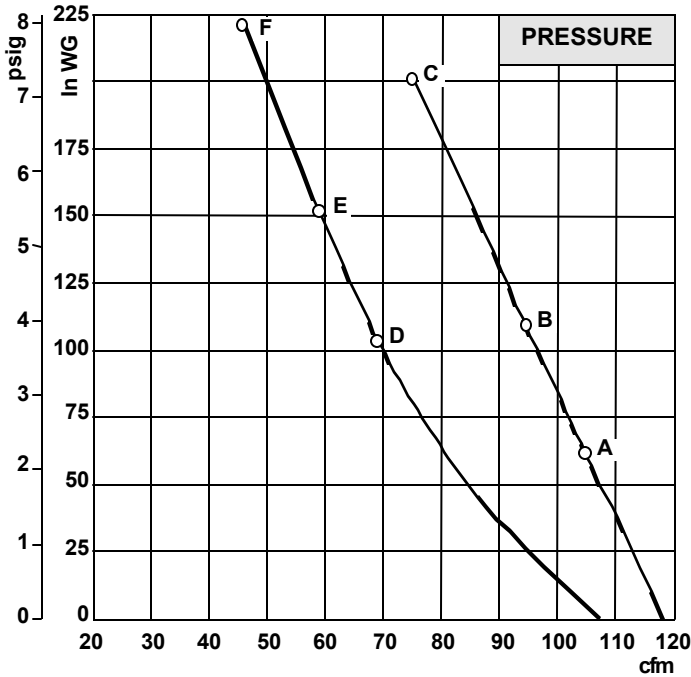


REGENERATIVE BLOWERS - S50D

50 or 60 Hz • Single or Three Phase



Water Management Technologies, Inc. • PO Box 66125 • Baton Rouge, LA 70896 USA
 Toll Free: 877.755.0026 • Phone: 225.755.0026 • Fax: 225.755.0995
 Web Page: W-M-T.com • Email: info@w-m-t.com



Notes:

- Curves indicate performance rated for continuous operation.
- Performance data based on ambient / inlet air temperature of 68 °F and barometric pressure of 29,92 In. Hg
- Performance values may vary by ±10%
- Sound level measured at 1 m distance with inlet and outlet piped.
- Specifications are subject to change without notice.

S50D

60 Hz – 3500 rpm				
Reference		A	B	C
Maximum airflow	cfm	118	118	118
Maximum continuous pressure	In. WG	62	110	201
Maximum continuous vacuum	In. Hg	4.6	8.1	11.8
Maximum sound level	dB(A)	74	74	74
Motor horsepower	Hp	4	5	7 1/2
Standard voltage	Volt	208-230/460	208-230/460	208-230/460
Phase		3	3	3
Rated F.L. current	Amps	12,2-11,0/5,5	15,5-14,0/7,0	20,8-18,8/9,4
Rated locked rotor current	Amps	73-66/33	109-98/49	125-113/57
Insulation	Class	F	F	F
50 Hz – 2900 rpm				
Reference		D	E	F
Maximum airflow	cfm	107	107	107
Maximum continuous pressure	In. WG	103	152	221
Maximum continuous vacuum	In. Hg	7.5	11.2	11.8
Maximum sound level	dB(A)	71	71	71
Motor horsepower	Hp	3 1/3	4 1/6	6 1/4
Standard voltage	Volt	200/400	200/400	200/400
Phase		3	3	3
Rated F.L. current	Amps	12,2/5,5	15,5/7,0	20,8/9,4
Rated locked rotor current	Amps	73/33	109/49	125/57
Insulation	Class	F	F	F