



Water Management Technologies, Inc. • PO Box 66125 • Baton Rouge, LA 70896 USA  
 Toll Free: 877.755.0026 • Phone: 225.755.0026 • Fax: 225.755.0995  
 Web Page: W-M-T.com • Email: info@w-m-t.com

**Standard features**

- Low weight cast aluminum construction.
- Quiet operation with integral inlet and outlet muffling.
- Recognized TEFC motor.
- High efficiency / low noise impeller design.
- No lubrication / maintenance required.
- Allowed ambient: -10 °F to +105 °F.
- Mountable in any plane.

**Max. continuous operating Pressure**  
**Vacuum**

**8.7 psig / 241.0 In. WG**  
**14.0 In. Hg / 190.3 In. WG**

**Options**

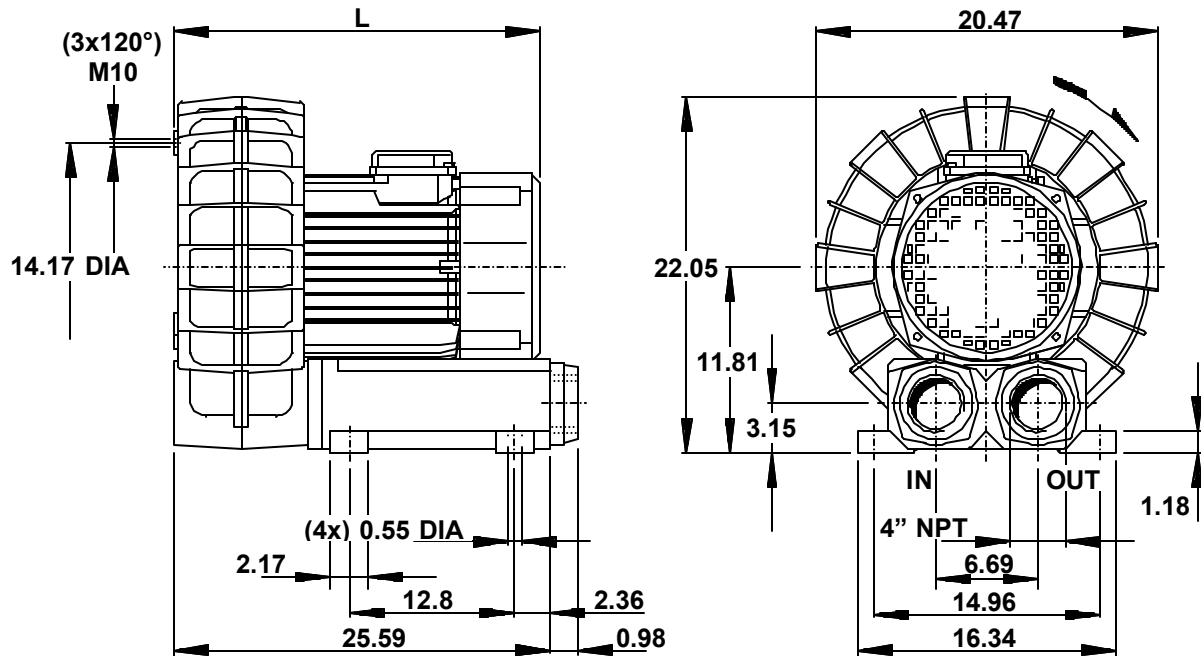
- Remote drive models (belt or coupling).
- Special voltages.
- Surface treatment or plating.
- Gas tight sealing.
- Special designs available.

**Accessories**

- Inlet and/or inline filters.
- Additional inlet/outlet silencers.
- Safety valves.
- Flow converting devices.
- Optional connectors.



**Dimensions in inches**



<b>Motor power</b>	<b>Hp 60 Hz</b>	<b>7 1/2</b>	<b>10</b>	<b>15</b>
	<b>Hp 50 Hz</b>	<b>6 1/4</b>	<b>8 1/3</b>	<b>12 1/2</b>
<b>L</b>	<b>In.</b>	<b>22.83</b>	<b>22.83</b>	<b>24.41</b>
<b>Weight</b>	<b>Lbs.</b>	<b>180.40</b>	<b>184.80</b>	<b>209.00</b>

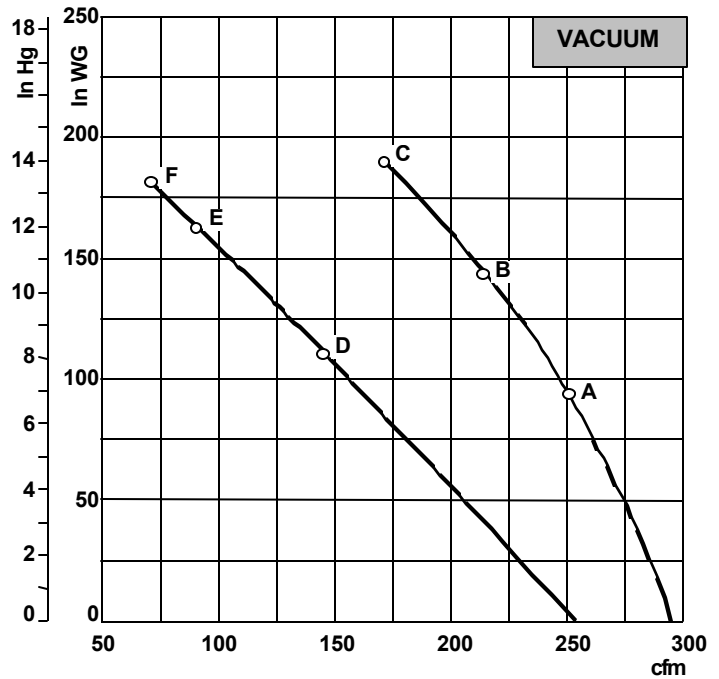
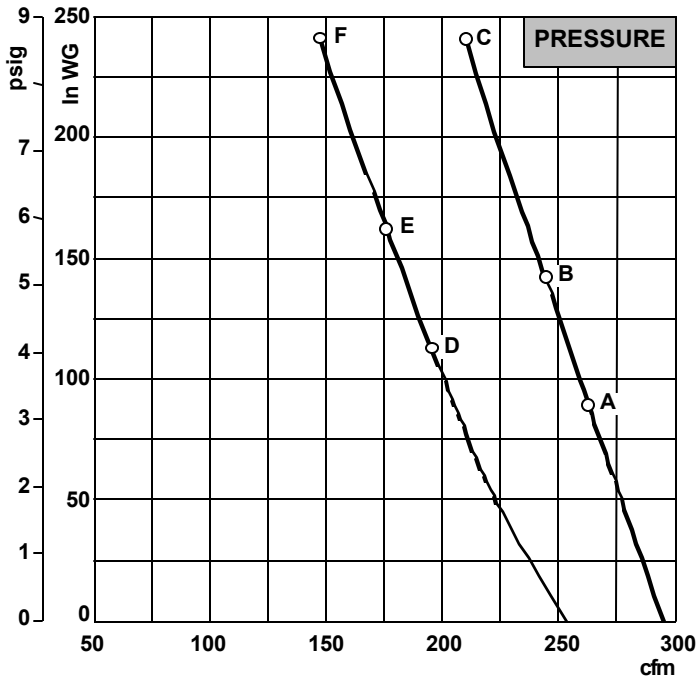


# REGENERATIVE BLOWERS - S80D

50 or 60 Hz • Single or Three Phase



Water Management Technologies, Inc. • PO Box 66125 • Baton Rouge, LA 70896 USA  
 Toll Free: 877.755.0026 • Phone: 225.755.0026 • Fax: 225.755.0995  
 Web Page: W-M-T.com • Email: info@w-m-t.com



**Notes:**

- Curves indicate performance rated for continuous operation.
- Performance data based on ambient / inlet air temperature of 68 °F and barometric pressure of 29,92 In. Hg
- Performance values may vary by ±10%
- Sound level measured at 1 m distance with inlet and outlet piped.
- Specifications are subject to change without notice.

## S80D

**60 Hz – 3500 rpm**

Reference		A	B	C
Maximum airflow	cfm	295	295	295
Maximum continuous pressure	In. WG	90	142	241
Maximum continuous vacuum	In. Hg	6.6	10.5	14.0
Maximum sound level	dB(A)	81	81	81
<b>Motor horsepower</b>	<b>Hp</b>	<b>7 1/2</b>	<b>10</b>	<b>15</b>
Standard voltage	Volt	208-230/460	208-230/460	208-230/460
Phase		3	3	3
Rated F.L. current	Amps	20,8-18,8/9,4	27,6-25,0/12,5	39,8-36,0/18,0
Rated locked rotor current	Amps	125-113/57	193-175/88	278-252/126
Insulation	Class	F	F	F

**50 Hz – 2900 rpm**

Reference		D	E	F
Maximum airflow	cfm	2530	253	253
Maximum continuous pressure	In. WG	111	164	241
Maximum continuous vacuum	In. Hg	8.2	12.0	13.3
Maximum sound level	dB(A)	78	78	78
<b>Motor horsepower</b>	<b>Hp</b>	<b>6 1/4</b>	<b>8 1/3</b>	<b>12 1/2</b>
Standard voltage	Volt	200/400	200/400	200/400
Phase		3	3	3
Rated F.L. current	Amps	20,8/9,4	27,6/12,5	39,8/18,0
Rated locked rotor current	Amps	125/57	193/88	278/126
Insulation	Class	F	F	F