



Water Management Technologies, Inc. • PO Box 66125 • Baton Rouge, LA 70896 USA  
 Toll Free: 877.755.0026 • Phone: 225.755.0026 • Fax: 225.755.0995  
 Web Page: W-M-T.com • Email: info@w-m-t.com

### Standard features

- Low weight die cast aluminum construction.
- Quiet operation with integral inlet and outlet muffling.
- Recognized TEFC motor.
- High efficiency / low noise impeller design.
- No lubrication / maintenance required.
- Allowed ambient: -10 °F to +105 °F.
- Mountable in any plane.

Max. continuous operating Pressure 3.0 psig / 84.0 in. WG  
 Vacuum 6.2 in. Hg / 84.3 in. WG

### Options

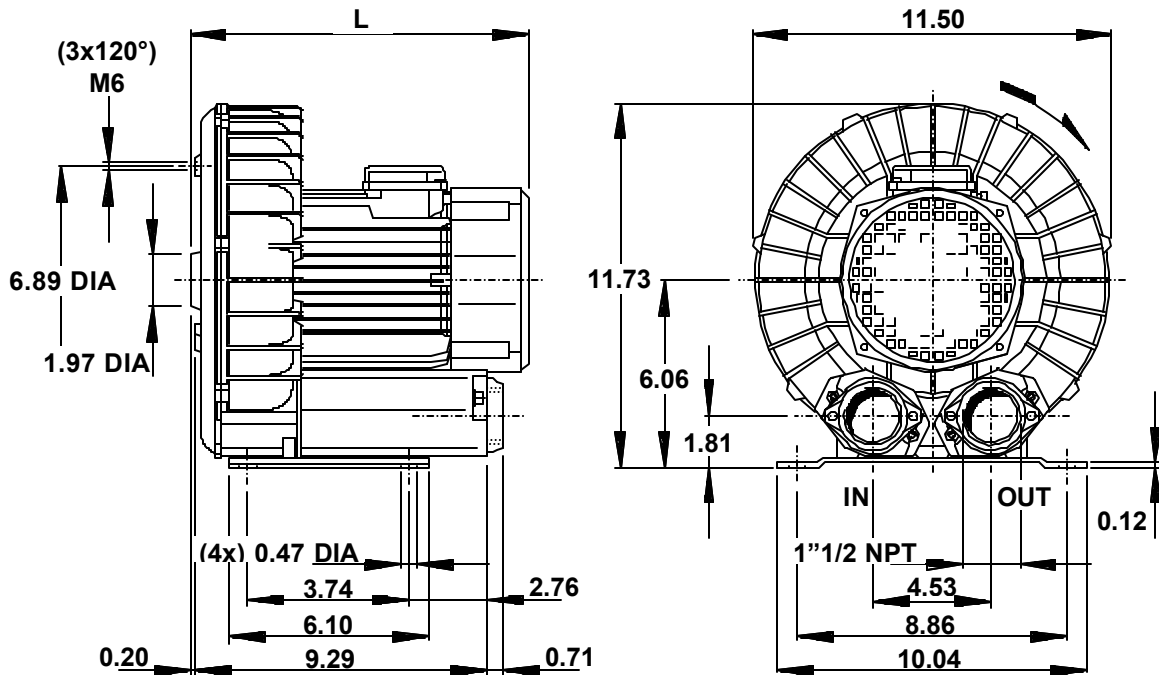
- Remote drive models (belt or coupling).
- Special voltages.
- Surface treatment or plating.
- Gas tight sealing.
- Special designs available.

### Accessories

- Inlet and/or inline filters.
- Additional inlet/outlet silencers.
- Safety valves.
- Flow converting devices.
- Optional connectors.



### Dimensions in inches



Motor power	Hp 60 Hz	1 1/2	2
	Hp 50 Hz	1 1/4	1 2/3
L	In.	11.42	11.42
Weight	Lbs.	33.00	35.20

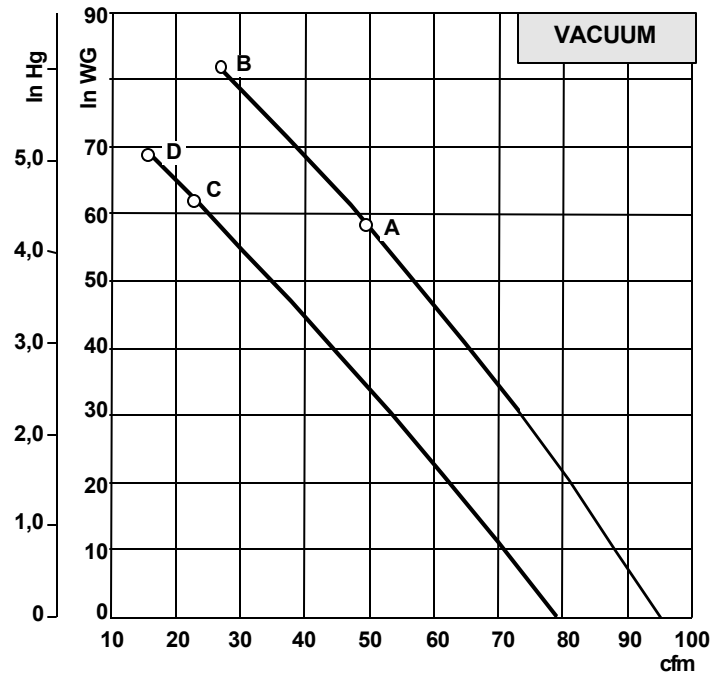
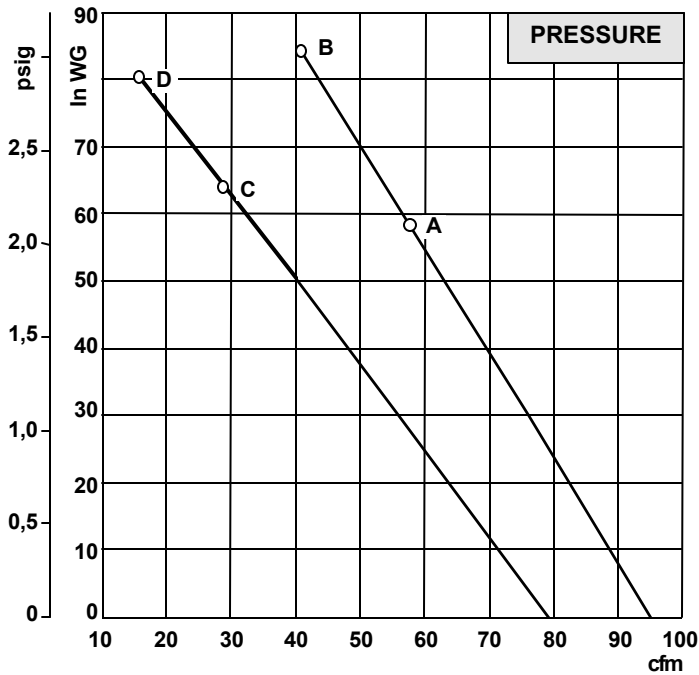


# REGENERATIVE BLOWERS - SV4

50 or 60 Hz • Single or Three Phase



Water Management Technologies, Inc. • PO Box 66125 • Baton Rouge, LA 70896 USA  
 Toll Free: 877.755.0026 • Phone: 225.755.0026 • Fax: 225.755.0995  
 Web Page: W-M-T.com • Email: info@w-m-t.com



**Notes:**

- Curves indicate performance rated for continuous operation.
- Performance data based on ambient / inlet air temperature of 68 °F and barometric pressure of 29,92 In. Hg
- Performance values may vary by ±10%
- Sound level measured at 1 m distance with inlet and outlet piped.
- Specifications are subject to change without notice.

## SV4

60 Hz – 3500 rpm				
Reference		A		B
Maximum airflow	cfm	95		95
Maximum continuous pressure	In. WG	58		84
Maximum continuous vacuum	In. Hg	4.3		6.2
Maximum sound level	dB(A)	65		65
<b>Motor horsepower</b>	<b>Hp</b>	<b>1 1/2</b>		<b>2</b>
Standard voltage	Volt	115 or 208-230	208-230/460	115 or 208-230 208-230/460
Phase		1	3	1 3
Rated F.L. current	Amps	19,8 or 11,0-9,9	5,1-4,6/2,3	26,4 or 14,6-13,2 6,9-6,2/3,1
Rated locked rotor current	Amps	99 or 55-50	31-28/14	132 or 73-66 42-38/19
Insulation	Class	F	F	F F
50 Hz – 2900 rpm				
Reference		C		D
Maximum airflow	cfm	79		79
Maximum continuous pressure	In. WG	64		80
Maximum continuous vacuum	In. Hg	4.7		5.0
Maximum sound level	dB(A)	63		63
<b>Motor horsepower</b>	<b>Hp</b>	<b>1 1/4</b>		<b>1 2/3</b>
Standard voltage	Volt	230	200/400	230 200/400
Phase		1	3	1 3
Rated F.L. current	Amps	9,9	5,1/2,3	13,2 6,9/3,1
Rated locked rotor current	Amps	50	31/14	66 42/19
Insulation	Class	F	F	F F