



Water Management Technologies, Inc. • PO Box 66125 • Baton Rouge, LA 70896 USA  
 Toll Free: 877.755.0026 • Phone: 225.755.0026 • Fax: 225.755.0995  
 Web Page: W-M-T.com • Email: info@w-m-t.com

### Standard features

- Low weight die cast aluminum construction.
- Quiet operation with integral inlet and outlet muffling.
- Recognized TEFC motor.
- High efficiency / low noise impeller design.
- No lubrication / maintenance required.
- Allowed ambient: -10 °F to +105 °F.
- Mountable in any plane.

Max. continuous operating Pressure 4.0 psig / 110.0 In. WG  
 Vacuum 8.1 In. Hg / 110.1 In. WG

### Options

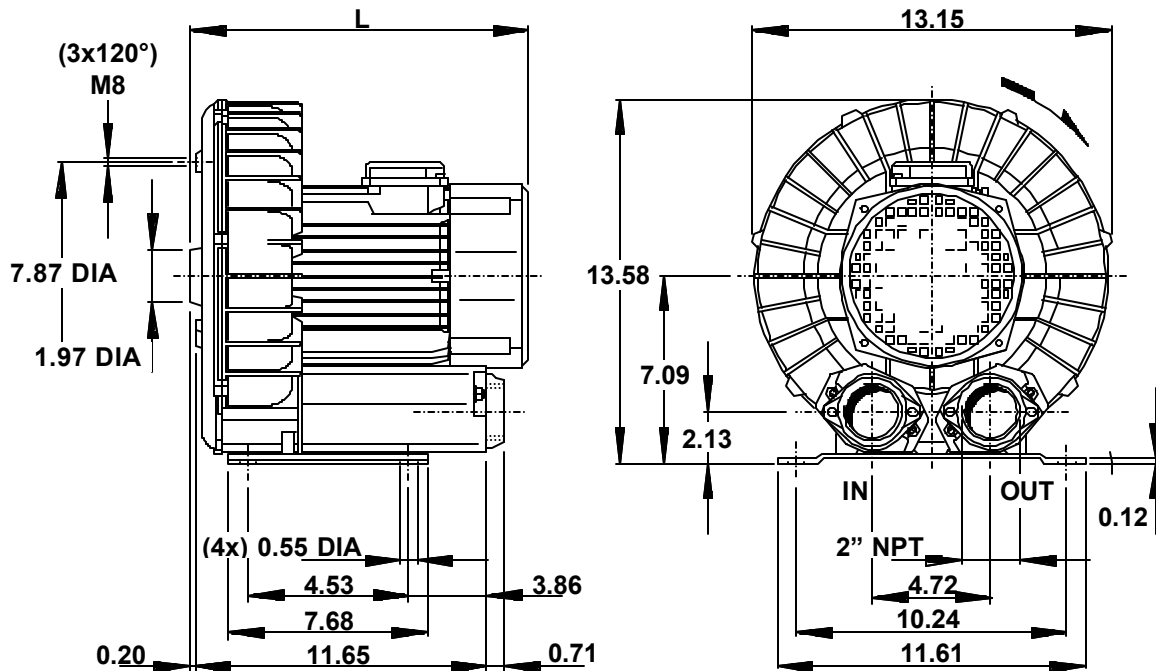
- Remote drive models (belt or coupling).
- Special voltages.
- Surface treatment or plating.
- Gas tight sealing.
- Special designs available.

### Accessories

- Inlet and/or inline filters.
- Additional inlet/outlet silencers.
- Safety valves.
- Flow converting devices.
- Optional connectors.



### Dimensions in inches



Motor power	Hp 60 Hz	2	3
	Hp 50 Hz	1 2/3	2 1/2
L	In.	11.81	11.81
Weight	Lbs.	48.40	55.00

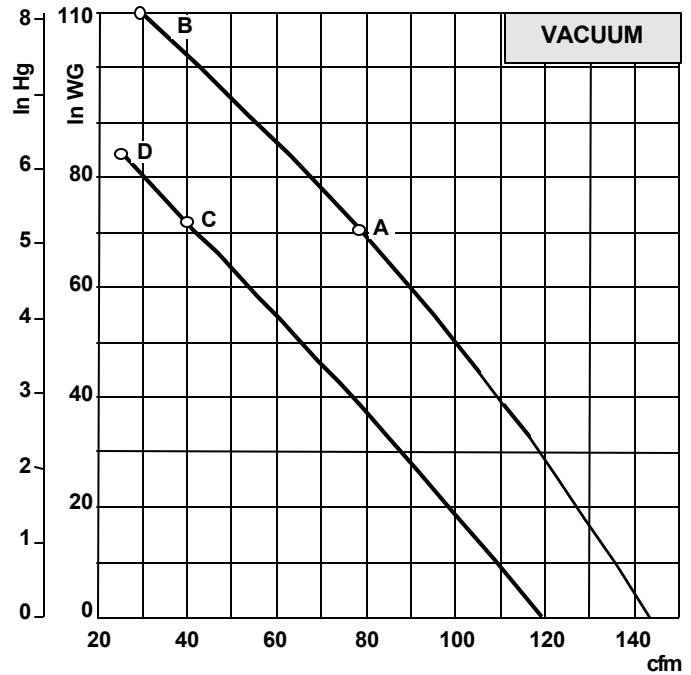
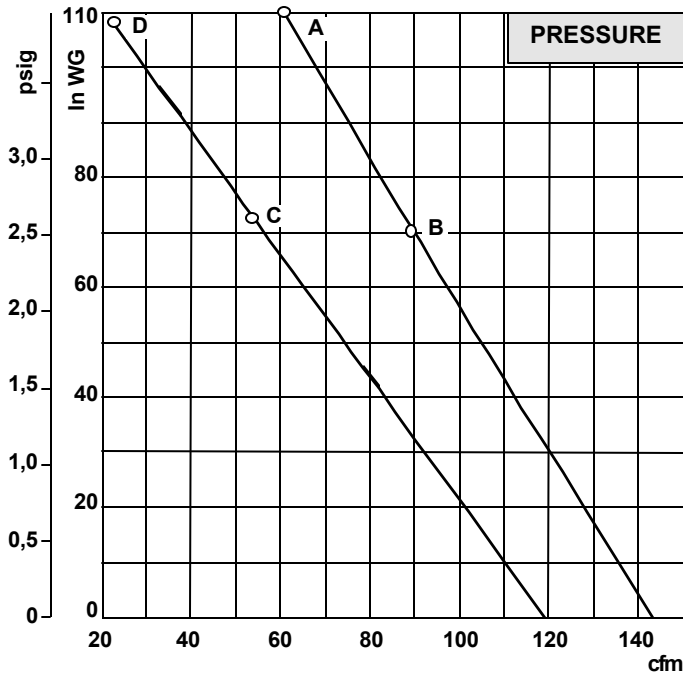


# REGENERATIVE BLOWERS - SV5

50 or 60 Hz • Single or Three Phase



Water Management Technologies, Inc. • PO Box 66125 • Baton Rouge, LA 70896 USA  
 Toll Free: 877.755.0026 • Phone: 225.755.0026 • Fax: 225.755.0995  
 Web Page: W-M-T.com • Email: info@w-m-t.com



**Notes:**

- Curves indicate performance rated for continuous operation.
- Performance data based on ambient / inlet air temperature of 68 °F and barometric pressure of 29,92 In. Hg
- Performance values may vary by ±10%
- Sound level measured at 1 m distance with inlet and outlet piped.
- Specifications are subject to change without notice.

## SV5

### 60 Hz – 3500 rpm

Reference		A		B	
Maximum airflow	cfm	143		143	
Maximum continuous pressure	In. WG	70		110	
Maximum continuous vacuum	In. Hg	5.2		8.1	
Maximum sound level	dB(A)	73		73	
<b>Motor horsepower</b>	<b>Hp</b>	<b>2</b>		<b>3</b>	
Standard voltage	Volt	115 or 208-230	208-230/460	115 or 208-230	208-230/460
Phase		1	3	1	3
Rated F.L. current	Amps	26,4 or 14,6-13,2	6,9-6,2/3,1	36,0 or 19,8-18,0	8,9-8,0/4,0
Rated locked rotor current	Amps	132 or 73-66	42-38/19	180 or 99-90	54-48/24
Insulation	Class	F		F	

### 50 Hz – 2900 rpm

Reference		C		D	
Maximum airflow	cfm	119		119	
Maximum continuous pressure	In. WG	73		108	
Maximum continuous vacuum	In. Hg	5.3		6.2	
Maximum sound level	dB(A)	70		70	
<b>Motor horsepower</b>	<b>Hp</b>	<b>1 2/3</b>		<b>2 1/2</b>	
Standard voltage	Volt	230	200/400	230	200/400
Phase		1	3	1	3
Rated F.L. current	Amps	13,2	6,9/3,1	18,0	8,9/4,0
Rated locked rotor current	Amps	66	42/19	90	54/24
Insulation	Class	F		F	