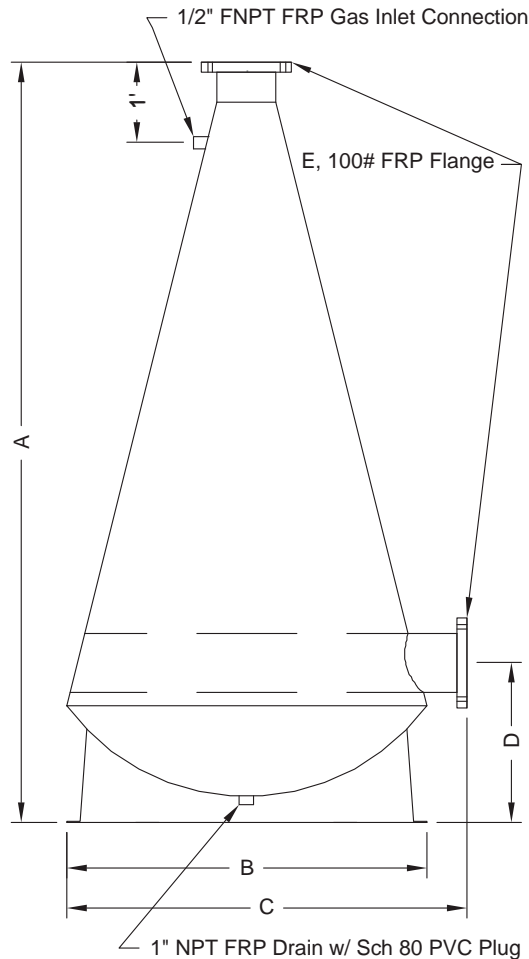


# WaterTek Oxygen Cones



## WaterTek Oxygen Cones

WaterTek Oxygen Cones are made in the USA . Unlike most oxygen cones on the market today, WaterTek Oxygen Cones employ US standard, true industrial grade, 100 lb. FRP flanges. These machined flanges accept gaskets to ensure proper seal and connection. With a gel coated interior assuring uniform flow, WaterTek Oxygen cones are rated to 25 psi ( 1.5 bar). Suitable for fresh and salt water. Ships motor freight.



	W130	W350	W800
A	4'-6 3/4"	6'-4"	9'-6"
B	2'	3'	4'-6"
C	2'-6"	3'-6"	5'
D	1'-2"	1'-4"	2'
E	3"	6"	8"



Water Management Technologies, Inc.  
 PO Box 66125  
 Baton Rouge, LA 70896 USA  
 Phone: 225-755-0026  
 Fax: 225-755-0995  
 E-mail: [info@w-m-t.com](mailto:info@w-m-t.com)  
<http://www.W-M-T.com>

WMT offers oxygen and ozone control panels to meter either gas into WaterTek oxygen cones or LHO's. Please contact WMT for specifications and pricing.

**WE  
 RECYCLE  
 RIGHT! ©**