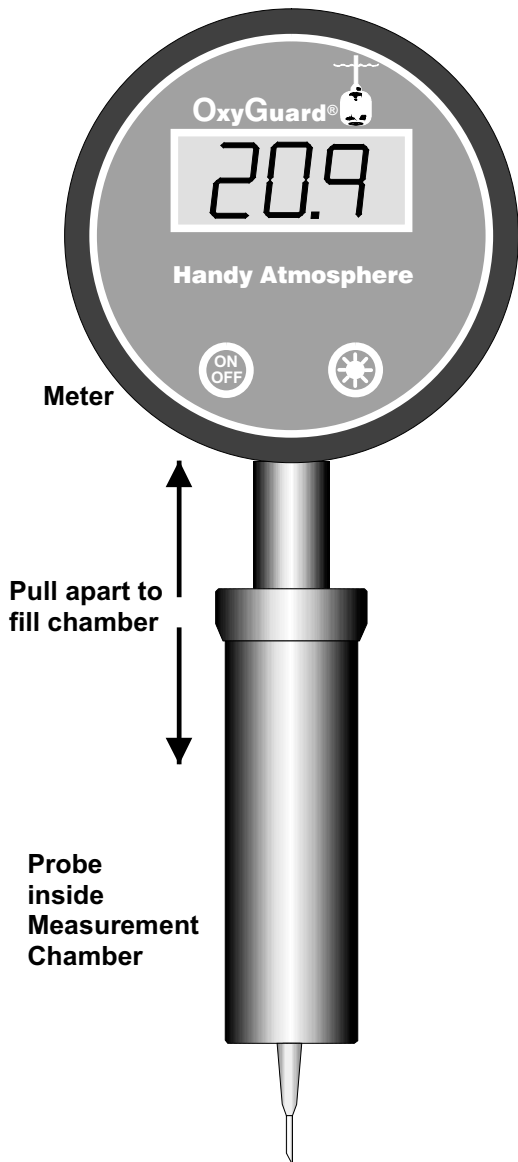


# OxyGuard Handy Atmosphere SP

*Pocket size Meter with Sample Pump for Measuring Oxygen in Food Packaging Gas*



The Handy Atmosphere SP combines OxyGuard know-how, reliability and ease of use with an innovative design concept. It can measure high and low levels of gaseous oxygen.

The probe is fixed to the meter inside a measurement chamber with needle. The probe acts as the piston of a pump, drawing sample gas into the chamber when the meter and chamber are pulled apart.

## Features of the Handy Atmosphere SP:

- \* Always ready for use - no warm-up time.
- \* Self-contained - battery powered.
- \* No heated parts.
- \* Easy-to-clean design - ideal for the food industry!
- \* No servicable parts - just change the battery!
- \* 1000 hours battery life time (approx.)
- \* Very long-term stable.
- \* Easy to calibrate - it takes less than a minute.
- \* Extremely economic in use.
- \* Can be used on packages with only 20 ml free volume.

## Specifications

|                       |  |
|-----------------------|--|
| Probe Type:           | Galvanic cell, self polarizing, self temperature compensating. |
| Operating Conditions: | 0 to 50°C.   |
| Measuring Range:      | 0-100% oxygen by volume.                                       |
| Resolution:           | 0.1% volume.   |
| Accuracy:             | Typically better than +/- 1% of measured value +/- 1 digit.    |
| Repeatability:        | Typically better than +/- 0.5% of measured value.              |
| Response Time:        | 90% of end value in less than 25 seconds.                      |
| Standard Accessories: | Storage pouch, seal pads, 2 needles.                           |

## Ordering Information

|         |  |
|---------|--|
| H02CA2: | Handy Atmosphere SP with accessories in pouch ready for use. |
| H02XPAD | Seal pad for use with very low oxygen concentrations.        |
| H02XNDL | Needle.  |

Data subject to change without notice

H02CA2 Handy Atmosphere SP brochure gb 0501