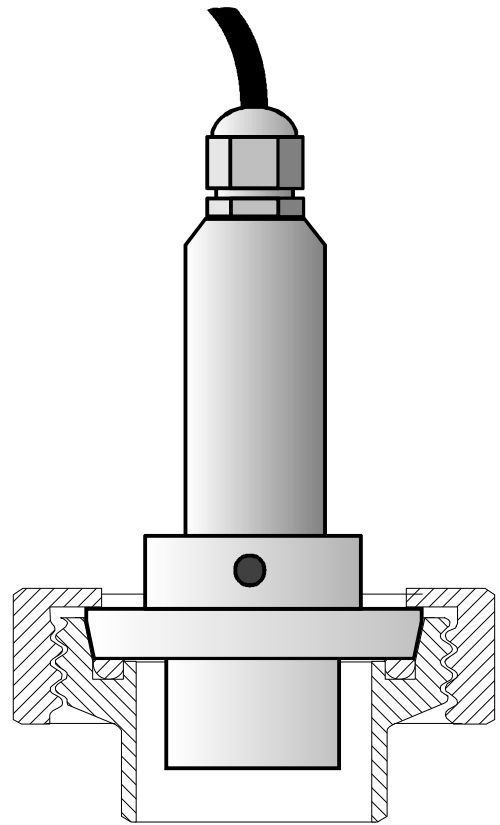
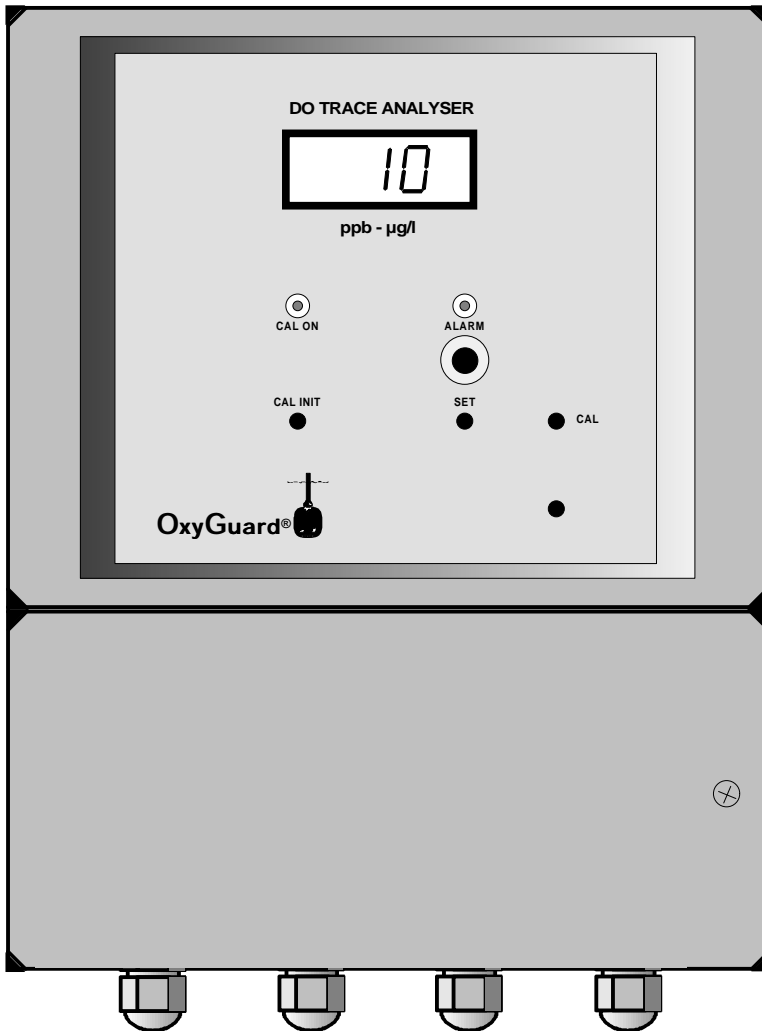


OxyGuard PPB Hygienic

Dissolved Oxygen Meter for Hygienic Applications



The OxyGuard PPB Hygienic is a variant of the OxyGuard PPB DO meter for extremely low DO levels. The PPB Hygienic can be ordered with ranges of 0-100 ppb or higher, and is also available in a dual-range model. It can be cleaned at 100°C. Its probe is designed to fit into a standard ND40 stainless steel dairy fitting with no difficult-to-clean dead spaces. The probe tip is made from a single piece of high-stability plastic and the membrane fits flush with a special gasket.

The OxyGuard PPB range of instruments are characterized by high accuracy, very fast response time, ease of use and maintenance, reasonable acquisition cost and very low cost of ownership. The probe does NOT need regular service.

Technical Data

Probe

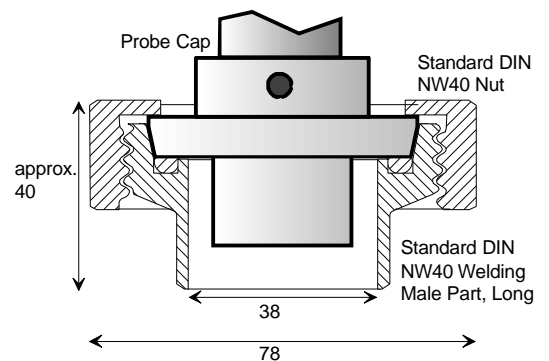
Type:	Self polarising (galvanic) membrane covered amperometric cell
Sample temperature:	0 to 40°C. Can be cleaned to 100°C
Sample flow:	Depends on oxygen content and temperature.
Sample pressure:	Atmospheric to 6 bar
Connections:	Fits ND 40 dairy fittings - supplied with weld-on flange.
Response Time (20°C):	Upscale and downscale within range: To 90% of 100% step in less than 25 sec.
Stabilizing Time (20°C):	After 1 minute calibration in air to 100 ppb in less than 1 minute. After 1 minute calibration in air to 10 ppb in less than 5 minutes.

Transmitter

Construction	Cast metal enclosure with front panel with display and adjustments.
Dimensions & weight:	190 x 240 x 100 mm (WxHxD), approximately 3 kg
Measuring range:	0-100 ppb or on request. (2-range version available)
Output:	0/4-20 mA, isolated from input
Indicator:	LCD display, digit height 12 mm
Alarm:	1 high alarm. Potential free change over switch, max. 200 VA
Encapsulation:	IP 66
Operating temperature:	-5°C to 50°C

System Performance

Accuracy:	Depends on calibration accuracy and method. Typically better than +/- 2 ppb when calibrated in air.
Repeatability:	Typically better than +/- 0.5 ppb (or 2%).
Conformity:	Linear.
Limit of Detection:	Approx. 1 ppb.
Probe renovation:	No regular maintenance necessary.



N.B. The system has EMC (CE) approval.

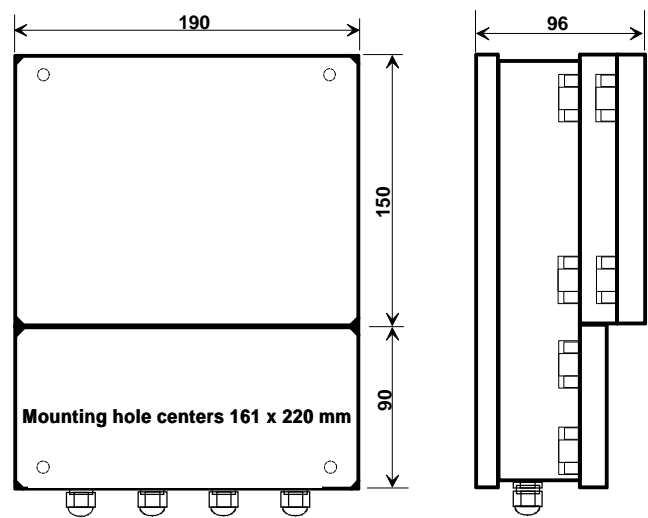
Standard Accessories

Membranes	User Manual
O-rings	Electrolyte

Ordering Information

L02S1: Stationary PPB Hygienic DO Meter
L02S2: Stationary 2-range PPB Hygienic DO Meter

The equipment is supplied ready for use



All dimensions in millimeter